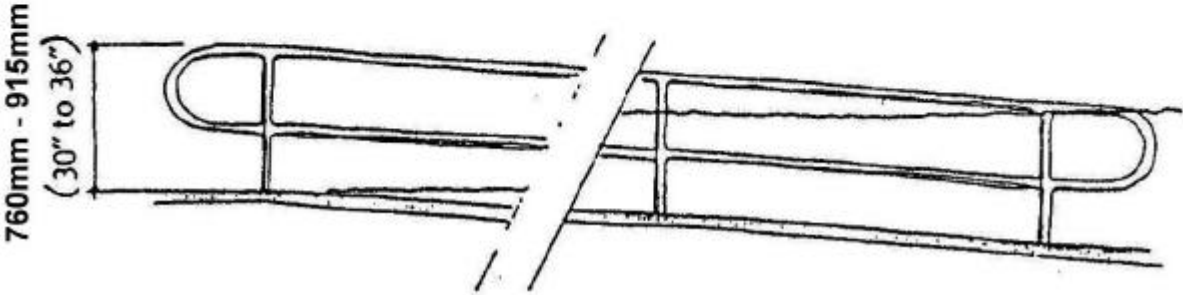
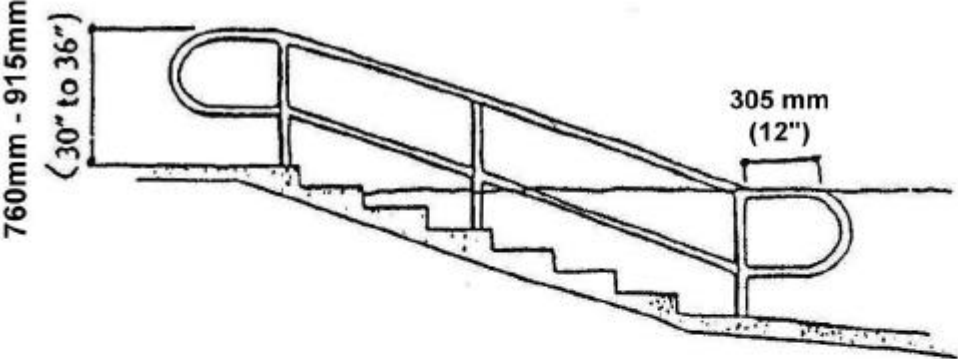


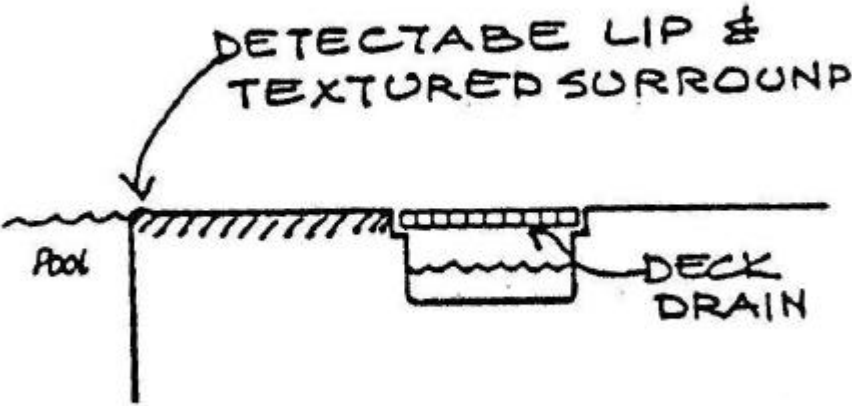


C.1.3



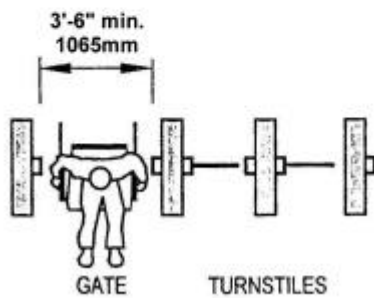
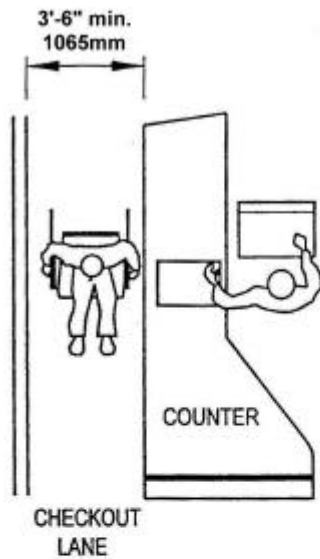


C.1.5





C.2.4

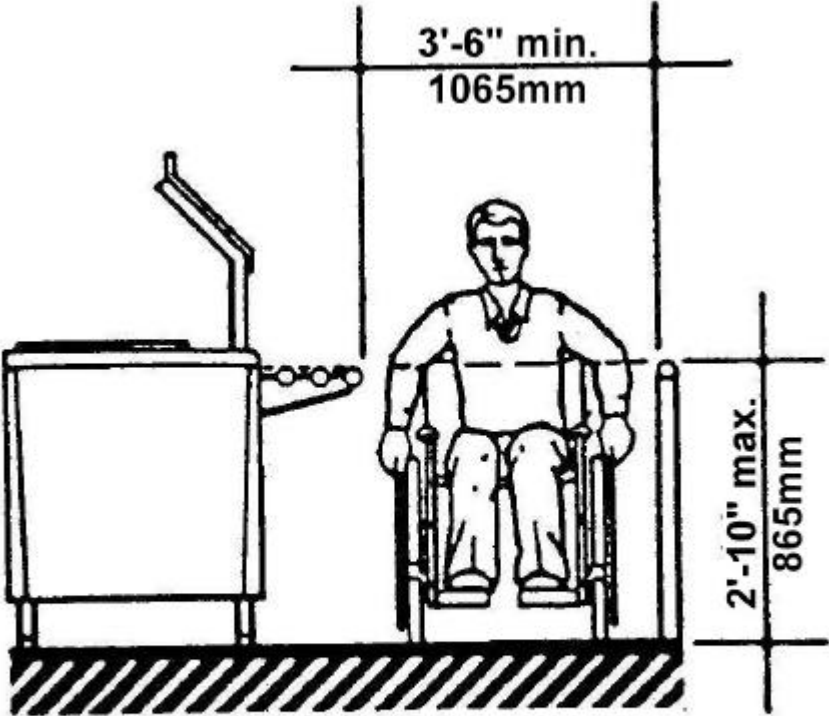


NOTE: Can be 3'-0" over limited distance.

Check-in/out Counters & Turnstiles



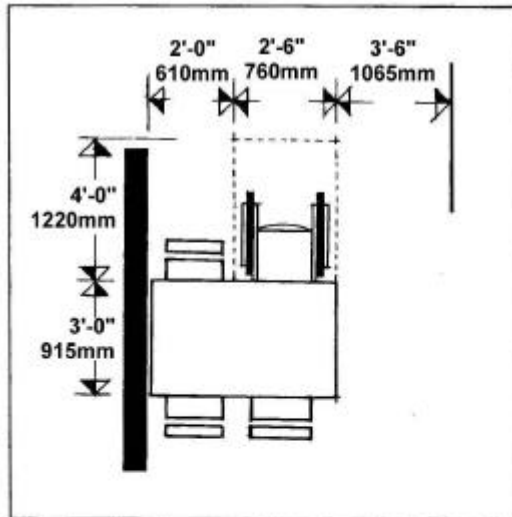
C.2.6



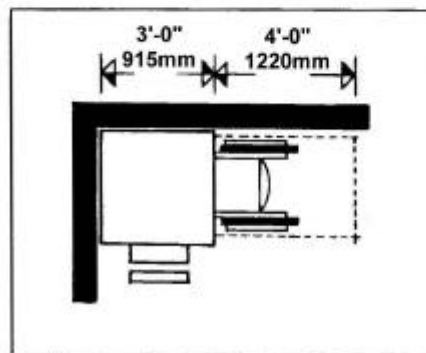
Food Service Lanes



C.2.7



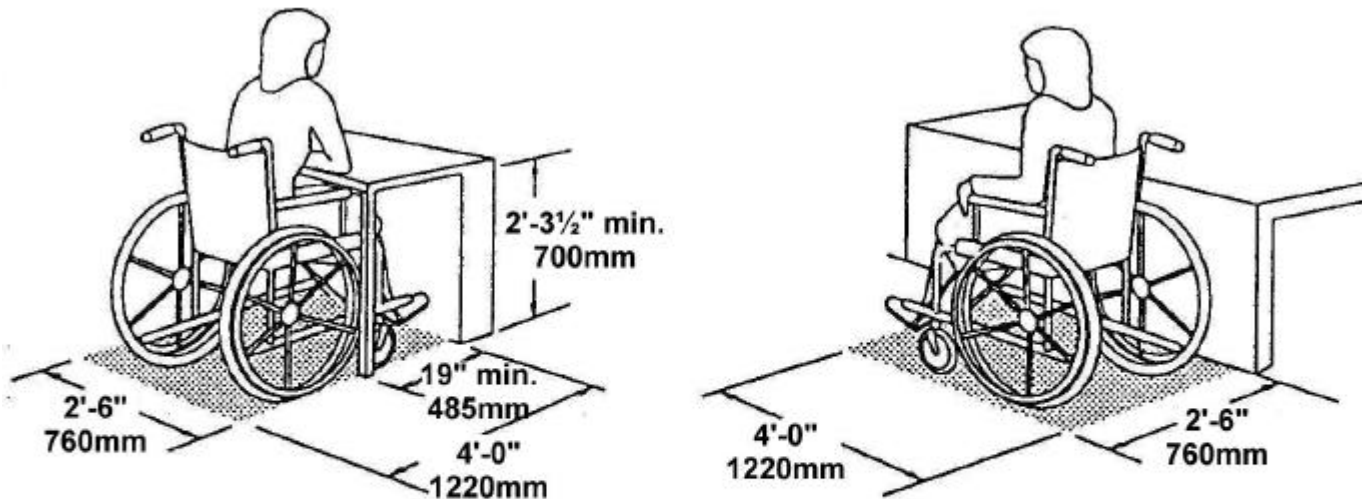
In dining rooms or breakfast areas, there should be clear floor space for at least one wheelchair user.



Floor space for wheelchairs should be free of other traffic movement



C.2.8

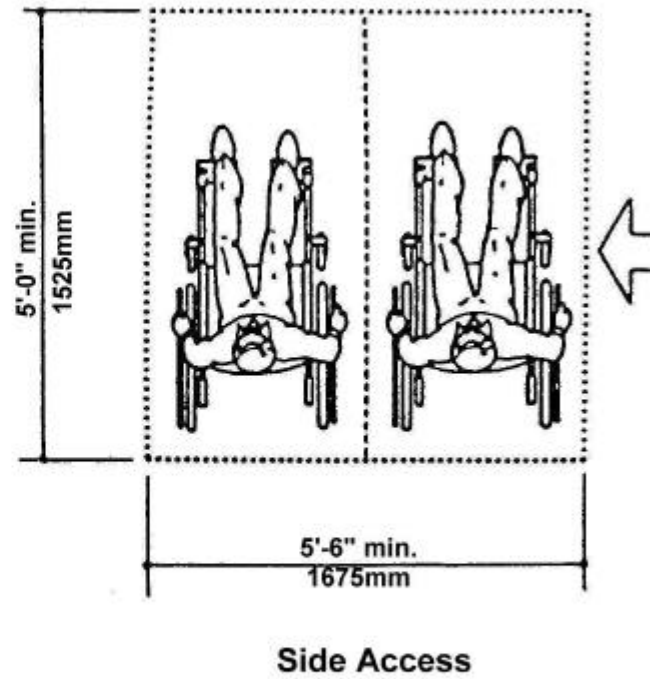
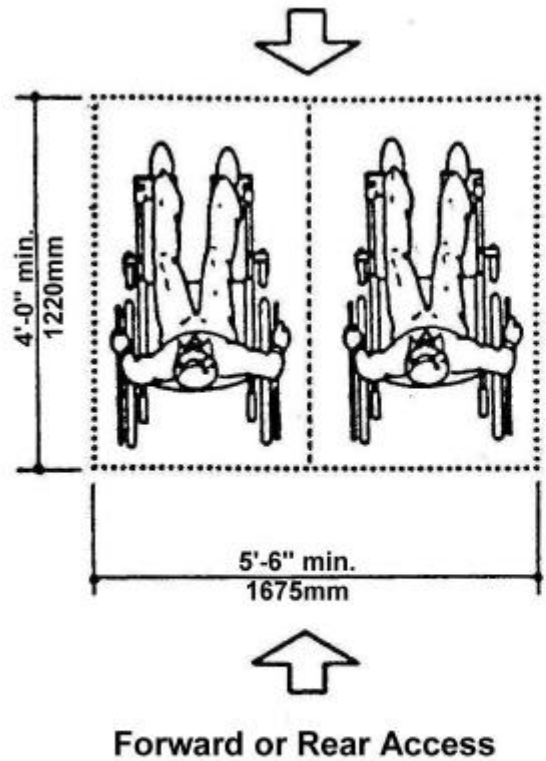


Forward and Side Approach to Table or Counter

“With the permission of Canadian Standards Association, material is reproduced from CSA Standard CAN/CSA-B651-95 (R2001), Barrier-Free Design, which is copyrighted by Canadian Standards Association, 178 Rexdale Blvd., Toronto, Ontario, M9W 1R3. While use of this material has been authorized Csa shall not be responsible for the manner in which the information is Presented, nor for any interpretation thereof.”

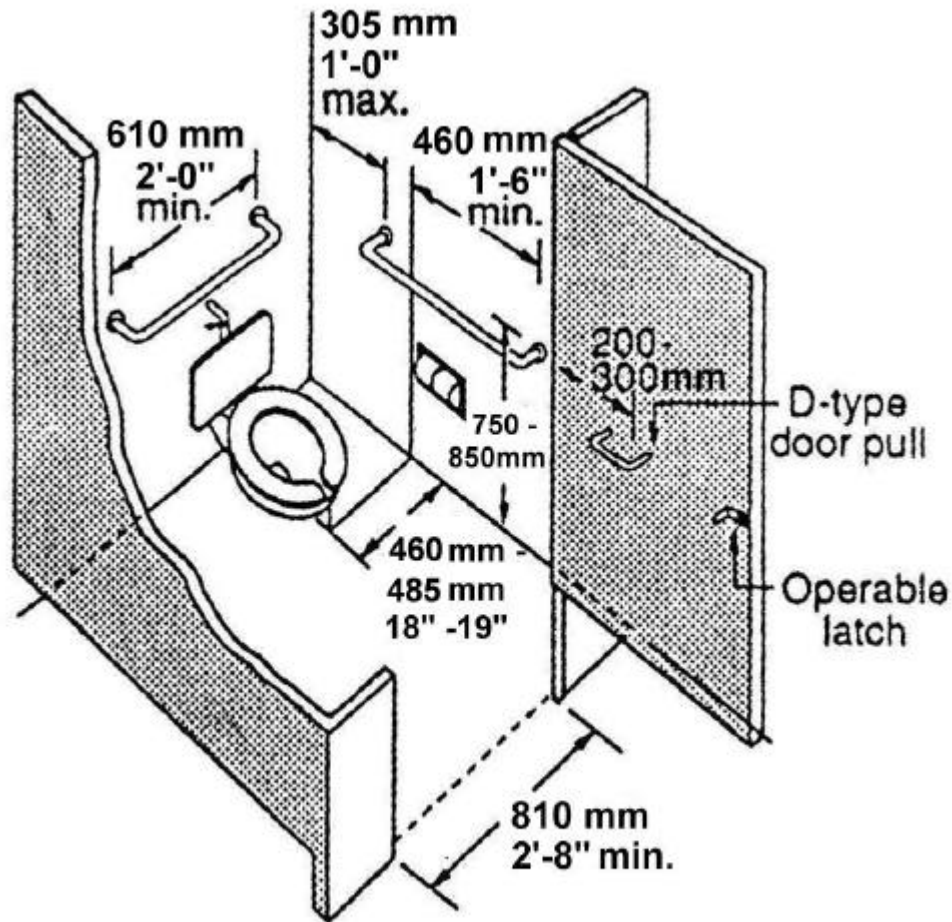


C.5.6





C.7.6



Accessible Toilet Stall

"With the permission of Canadian Standards Association, material is reproduced from CSA Standard CAN/CSA-B651-95 (R2001), Barrier-Free Design, which is copyrighted by Canadian Standards Association, 178 Rexdale Blvd., Toronto, Ontario, M9W 1R3. While use of this material has been authorized Csa shall not be responsible for the manner in which the information is Presented, nor for any interpretation thereof."



C.7.9 and C.7.10

